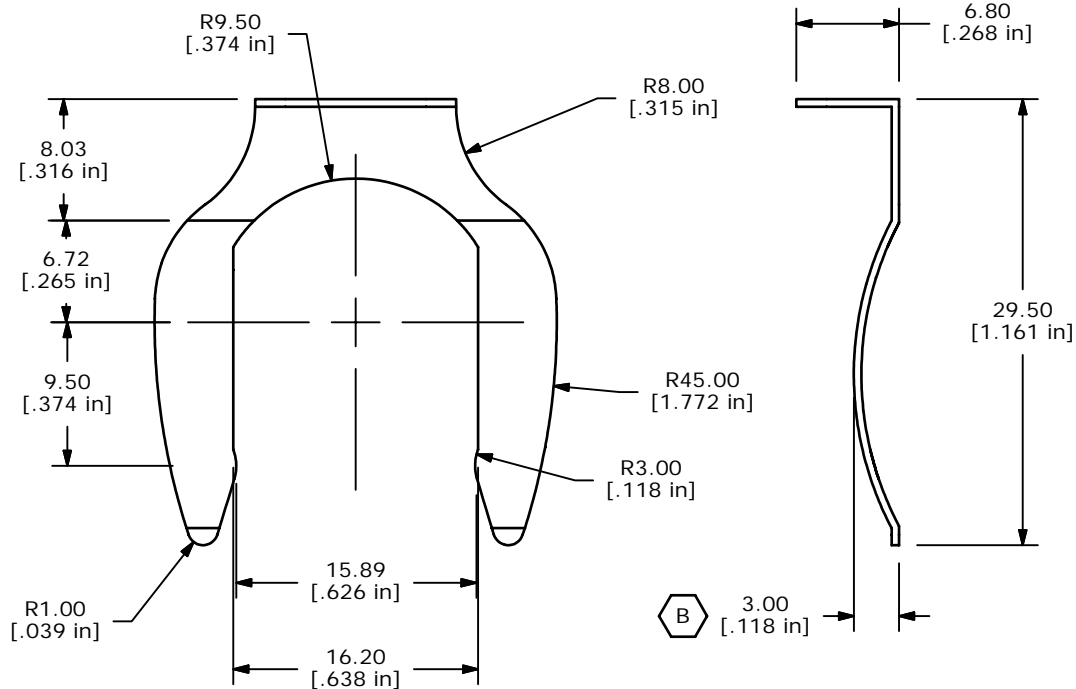


ISOMETRIC



NOTES:

1. ALL DIMENSIONS IN MM [INCH]
2. GENERAL TOLERANCE: 0.0 = +/-0.4
0.00 = +/-0.25
3. ▲ DENOTES CRITICAL PARAMETER



B	14956	CHANGED DIMENSION	5/26/05	JB
A	14945	RELEASED FOR PRODUCTION	5/24/05	JB
REV	PCR NO	DESCRIPTION	DATE	BY

TITLE KO SERIES CLIP				
SCALE	DATE	DR	DWG	REV
2:1	5/24/2005	JB	K900003	B

THE INFORMATION CONTAINED IN THIS DOCUMENT IS PROPRIETARY TO E-SWITCH AND IS NOT TO BE COPIED OR TRANSFERRED